

**Rocker Switch (RS3-6 Series)**

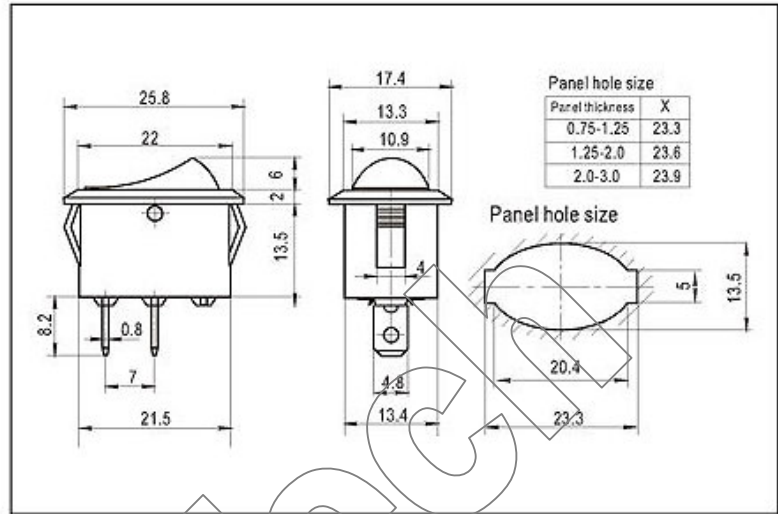


**SPECIFICATIONS**

- (G): 6 (2) A 250VAC T125/55 1E4  
10A 125VAC
- (H): 10 (4) A 250VAC T125/55 1E4  
10 (2) A 250VAC T85/55 5E4  
16A 125VAC / 10A 250VAC 1/3HP 125-25VAC



**ROHS Compliance**



EXPLANATION MODEL NUMBER

**RS3-6 - 11/N - G - 2 - RE/BK - P5 ... (2)**

